

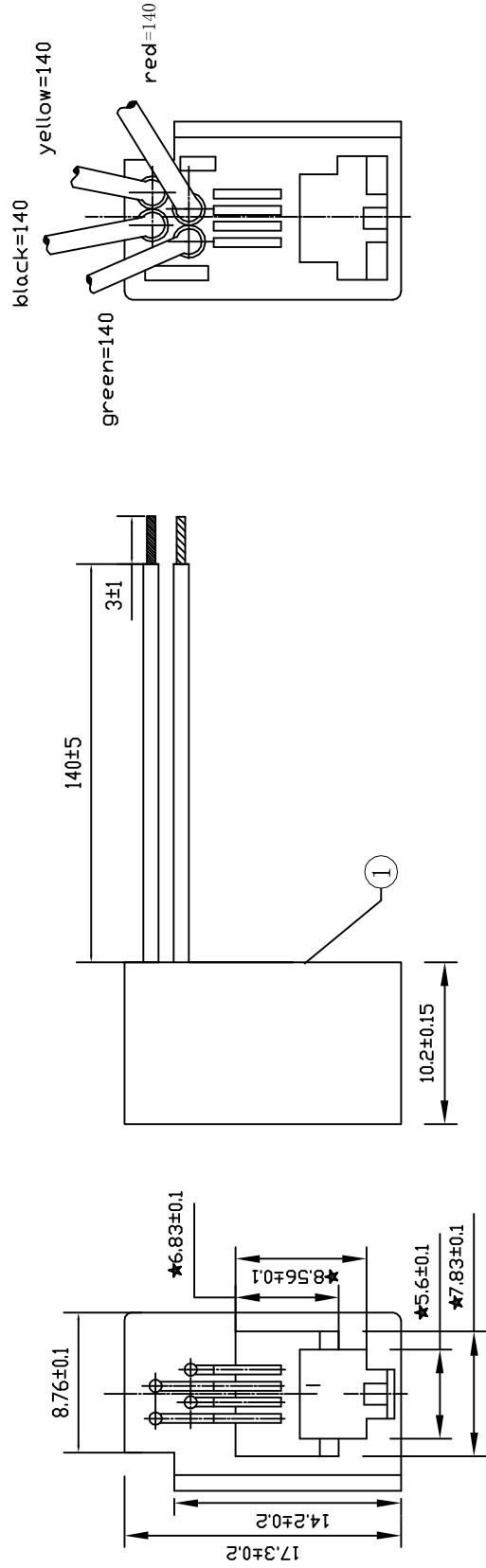
1

2

3

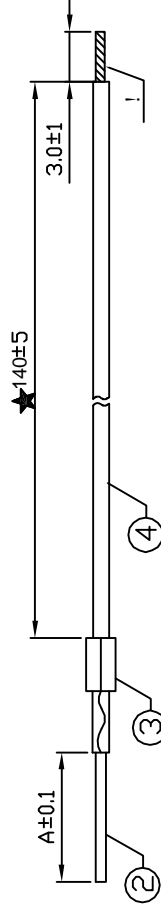
4

REV.	ECN NO.	DATE
00	New specifications	12.05.22



B

B



Technical requirements:

1. The socket adjacent insulation resistance between the normal amount not less than 1000 M Ω.
2. The adjacent normal compression strength can bear AC1000V. A minutes without breakdown or fly arc phenomenon.
3. Mechanical life not less than 750 times.

C

C

4	H04-A0134	Electronic line	UL1061 26AWG 7*0.16
3	1G910-G010	Terminals	Brass
2	E001-JGF-001	Gold line	Phosphor copper surface after nickel plating gold-plated GF
1	1D203N-A44-F013	616E JACK 4P4C	UL94V-2 GRAY
NO.	DWG NO.	NAME	DESCRIPTION

TOLERANCES	MATERIAL: see table	Designed:
0~30 ±0.15		
30~ ±0.25	FINISH: see table	Checked:
ANGLES: ±1°		
	SHEET 1 OF 1	Approved:

NAME: 616E JACK 4P4C green yellow red black
green GFU 4L=140mm
DWG NO: 12052203
REV.
PART NO: 12052203

RoHS Compliant			
Wellco T&C Co., Ltd.			
FIRST ANGLE PROJECTION	SCALE	UNIT	CUSTOMER:
A4	1:1	mm	MODEL NO:

QRK-02

1

2

3

4