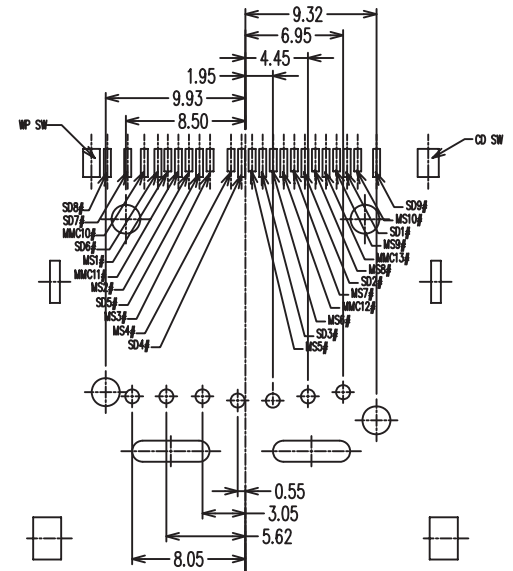
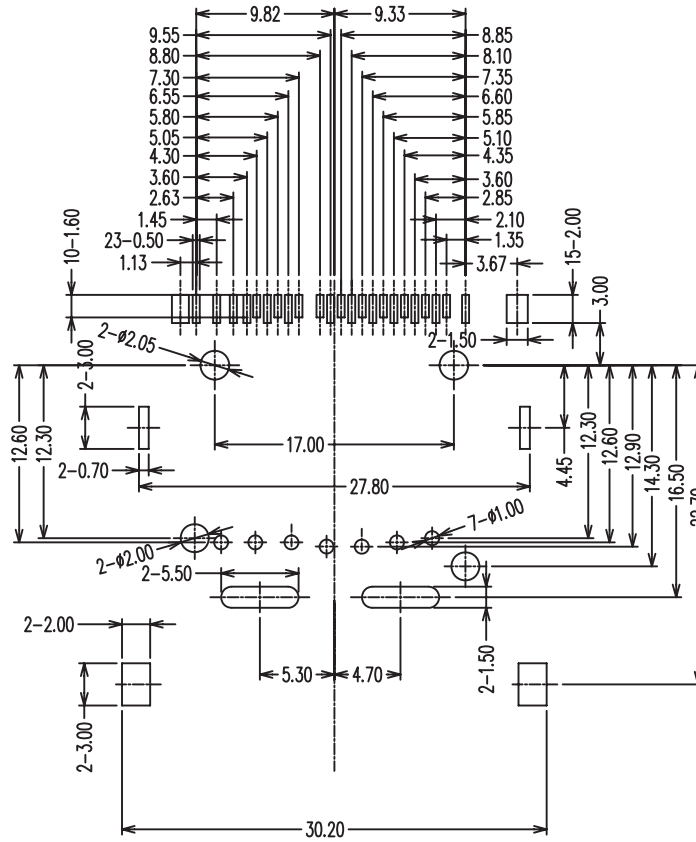
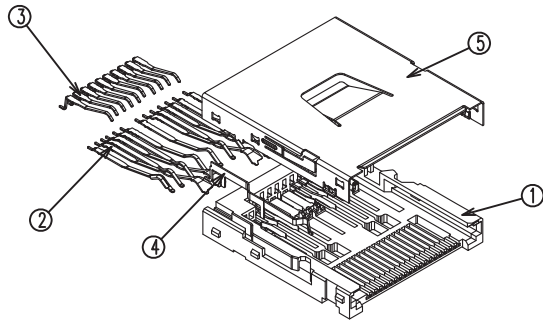
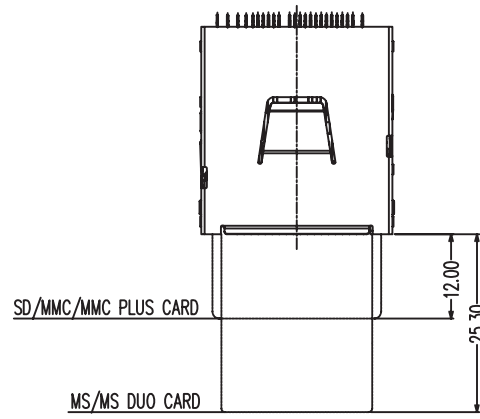


					GENERAL TOLERANCE		DWG	PROJECTION	TITLE				
					X.±0.50	X.±5'	***		4 IN 1 CARD 无XD CONN.				
							CHK	SCALE	PART NO				
							***	N/A	P/N # 4in1_0728				
REV.	ECN No.	LOCATIONS	DESCRIPTION	DATE	.X.±0.38	.X'±2'	APVD	SHEET	DRAWING NO	REV	UNIT	SIZE	DATE
REVISIONS					.XX±0.25	.XX'±1'	***	1 OF 1	*_*_*_*_*_*_*_*	A	mm	A4	2011/11/28

Wellco T&C Co., Ltd.



RECOMMENDED PCB LAYOUT
TOLERANCE: ±0.05

GENERAL TOLERANCE									
X.±0.50	X.±5°	CHK	SCALE	PART NO					
.X±0.38	.X'±2°	APVD	N/A 1 5	DRAWING NO		REV	SIZE		
.XX±	.XX'±1°		1 OF 1				mm	A4	2011/11/28