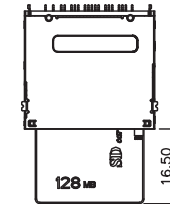
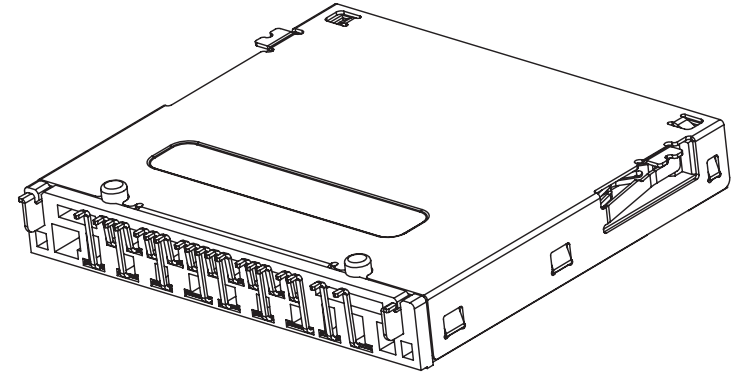
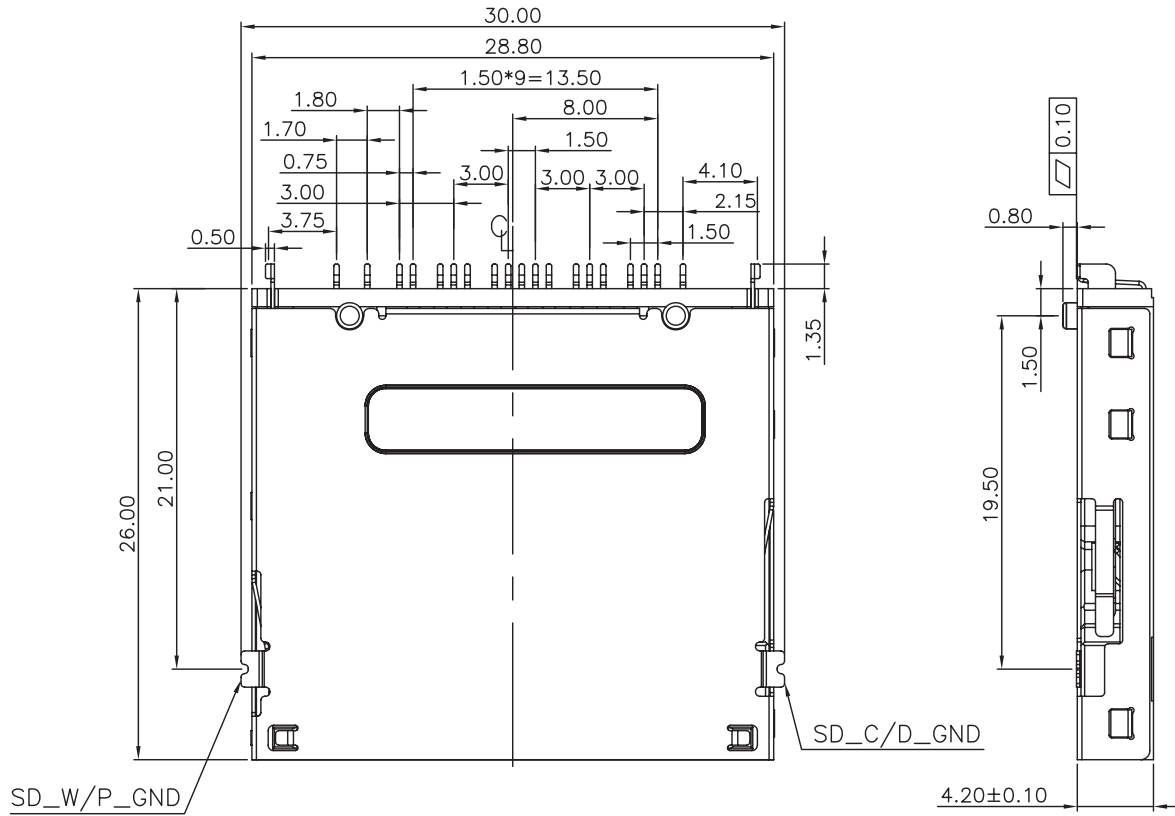
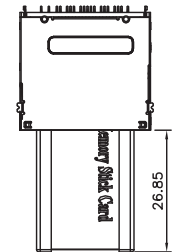


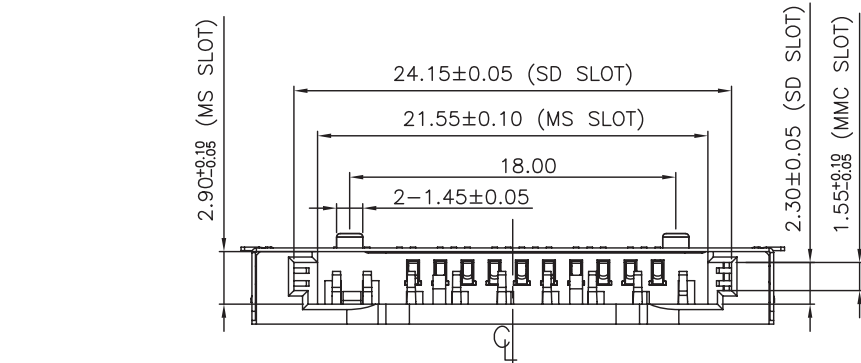
REVISIONS				
SYM	ECN No.	DESCRIPTION	DATE	APPROVED
A		RELEASE TO PRODUCTION	08.01.02	



SD/MMC Card END



MS Card END



DRAWN		Wellco T&C Co., Ltd.				
CHECKED						TITLE
APPROVED		3in1Reverse C Type (SD/MMC/MS)		C-P01-00037-03		
				DRAWING NO.		
				C-P01-00037		
UNIT MM	TOLERANCE .XXX±.1, .XX±.25, .X±.38, ANG±2°	SCALE	SHEET	SIZE	REV.	
		1:1	10F2	A4	A	

REVISIONS				
SYM	ECN No.	DESCRIPTION	DATE	APPROVED
A		RELEASE TO PRODUCTION	08.01.02	

MMC CARD

PIN#	NAME	DESCRIPTION
1	RSV	RESERVED FOR FUTURE USE
2	CMD	COMMAND/RESPONSE
3	VSS1	SUPPLY VOLTAGE GROUND
4	VDD	SUPPLY VOLTAGE
5	CLK	CLOCK
6	VSS2	SUPPLY VOLTAGE GROUND
7	DAT	DATA

MEMORY STICK

PIN#	NAME	DESCRIPTION
1	VSS	VSS
2	BS	SERIAL PROTOCOL BUS STATE SIGNAL
3	DATA1	DATA LINE BIT1
4	SDIO	SERIAL PROTOCOL DATA SIGNAL
5	DATA2	DATA LINE BIT2
6	INS	STICK INSERTION/EXTRACTION DETECT-TERMINAL
7	DATA3	DATA LINE BIT3
8	SCLK	SERIAL PROTOCOL CLOCK SIGNAL
9	VCC	VCC
10	VSS	VSS

SD CARD

PIN#	NAME	DESCRIPTION
1	CD/DAT3	CARD DETECT/DATA LINE BIT3
2	CMD	COMMAND/RESPONSE
3	VSS1	SUPPLY VOLTAGE GROUND
4	VDD1	SUPPLY VOLTAGE
5	CLK	CLOCK
6	VSS2	SUPPLY VOLTAGE GROUND
7	DAT0	DATA LINE BIT0
8	DAT1	DATA LINE BIT1
9	DAT2	DATA LINE BIT2
10	SD_CD	CARD DETECT
11	SD_WP	WRITE PROTECT

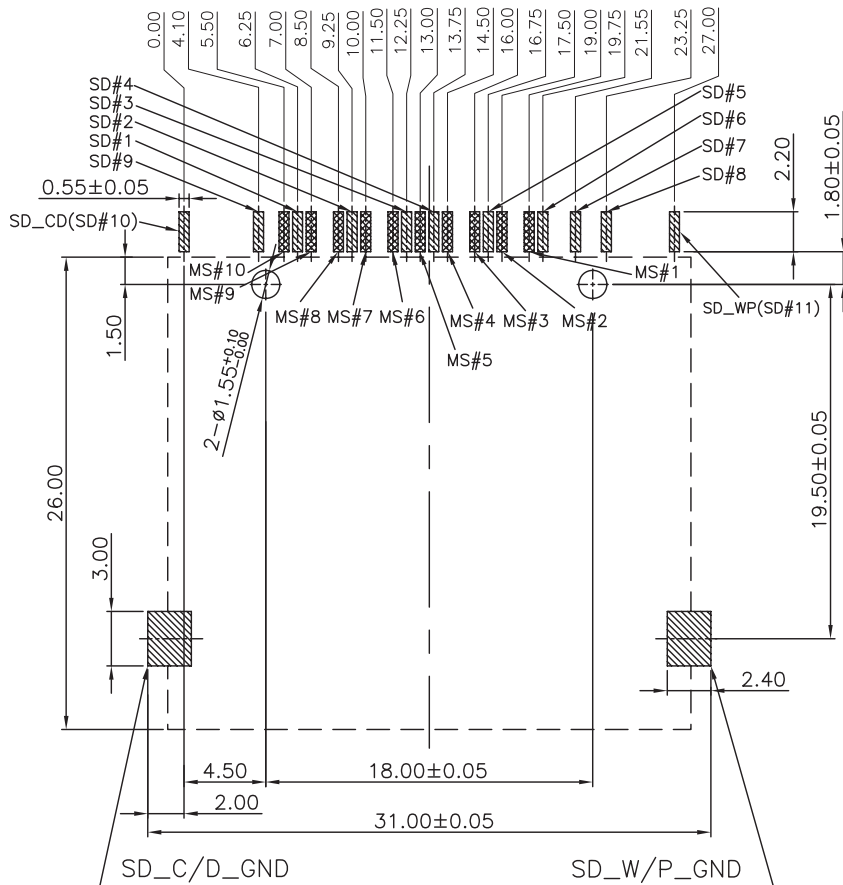
Notes:

- All Dimensions are in Millimeters.
- Operation voltage: 250 VAC(MAX).
- Current Rating: 0.5A(MAX).
- Insulation resistance: 1000M ohms(MIN)
- Dielectric withstanding voltage: 500VAC/minute.
- Operating Temperature: -20°C to +60°C.
- Storage Temperature: -40°C to +70°C.
- Contact resistance:
MS : 100m ohms (MAX).
SD & MS : 40 m ohms (MAX).

9.Ordering Information:

P01-00037-**

- 01-Contact area plated Au3u", Solder area plated Au 1u"
- 02-Contact area plated Au1u", Solder area plated Sn 100u"
- 03-Contact area plated Au3u", Solder area plated Sn 100u"
- 07-Contact area plated Au5u", Solder area plated Sn 100u"
- 08-Contact area plated Au10u", Solder area plated Sn 100u"
- 09-Contact area plated Au15u", Solder area plated Sn 100u"
- 11-Contact area plated Au5u", Solder area plated Au 1u"



RECOMMENDED PCB LAYOUT
(TOP VIEW TOL±0.05)

DRAWN		Wellco T&C Co., Ltd.				
CHECKED						TITLE
APPROVED		3in1Reverse C Type (SD/MMC/MS)		C-P01-00037-03		
UNIT		TOLERANCE	SCALE	SHEET	SIZE	REV.
MM		.XXX±.1, .XX±.25, .X±.38, ANG±2°	1:1	20F2	A4	A